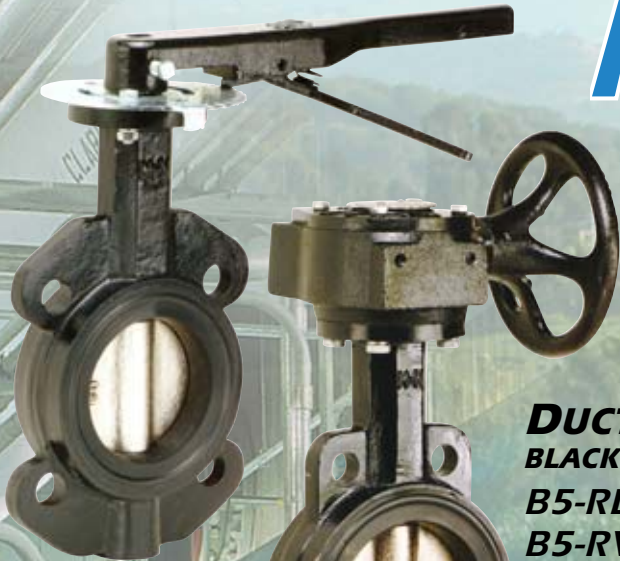


M
MATCO-NORCA™

B5
Butterfly
Valve



Available In Wafer Style



B5-RLO

B5-RWG

DUCTILE IRON DISC
BLACK BODY - BUNA-N SEAT
B5-RLO - Lever Handle
B5-RWG - Gear Handle

B5-RLO
with 48"
extension
option

ALUMINUM BRONZE DISC
ORANGE BODY - BUNA-N SEAT
B5-RLOAB - Lever Handle
B5-RWGAB - Gear Handle



B5-RLOAB

B5-RWGAB



B5-RLOSE

STAINLESS STEEL DISC
GRAY BODY - EPDM SEAT
B5-RLOSE - Lever Handle
B5-RWGSE - Gear Handle

And Lug Style

ALUMINUM BRONZE DISC
ORANGE BODY - BUNA-N SEAT
B5-LGLAB - Lever Handle
B5-LGGAB - Gear Handle



B5-LGLAB

STAINLESS STEEL DISC
GRAY BODY - EPDM SEAT
B5-LGLSE - Lever Handle
B5-LGGSE - Gear Handle



B5-LGLSE



B5-LGLS

B5-LGGS

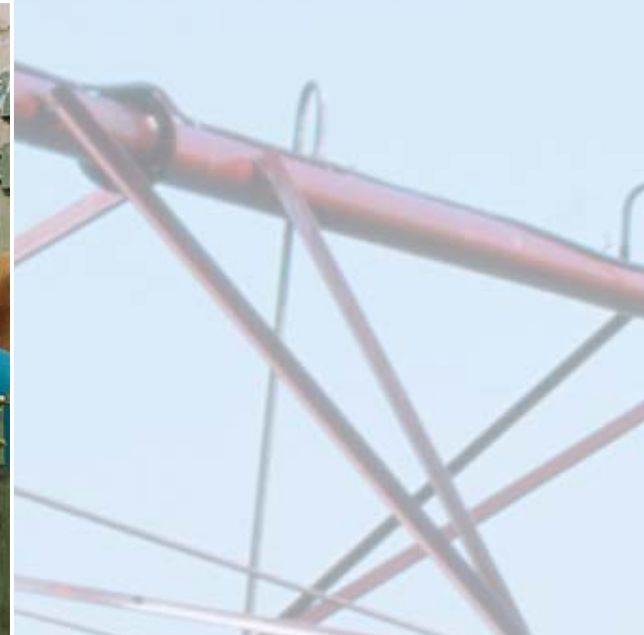
STAINLESS STEEL DISC
RED BODY - BUNA-N SEAT
B5-LGLS - Lever Handle
B5-LGGS - Gear Handle



B5-LGL

B5-LGG

DUCTILE IRON DISC
BLACK BODY - BUNA-N SEAT
B5-LGL - Lever Handle
B5-LGG - Gear Handle



Description

The Matco-Norca B5 Series Butterfly Valve is the newest addition to our family of high quality Iron Valves. Offered in Wafer style and Lug style, these valves are available with Ductile Iron, Aluminum-Bronze or 316 Grade Stainless Steel discs. These valves are in stock with both BUNA-N and EPDM liners. Viton liners are available upon request.

The new B5 design incorporates a one-piece stem with an important new feature. The disc is broached to accept the milled square stem which allows the disc to float, providing substantially improved torque values.

The B5 is available with lever operators and worm gear operators and features a bubble tight shut-off. The lug configuration is suitable for dead-end service. All Matco-Norca Butterfly Valves can be modified with extensions and various actuators.



Features

- ❖ *200WOG for 2" - 12", 150WOG for 14" - 24"*
- ❖ *Teflon Graphite Stem Bushing for positive stem alignment.*
- ❖ *Stem includes a snap ring to prevent inadvertent stem removal.*
- ❖ *Unique Stem to Disc design.*
- ❖ *All valves are epoxy coated.*
- ❖ *Torque Values up to 33% less than other valve designs.*
- ❖ *Precision disc machining provides bubble-tight shutoff.*
- ❖ *Top and bottom alignment holes.*
- ❖ *Ten Position lock lever handles are ideal for on-off and throttling applications.*



Applications

The Matco-Norca B5 Series Butterfly Valves are suitable for many applications. The B5 is well suited for:

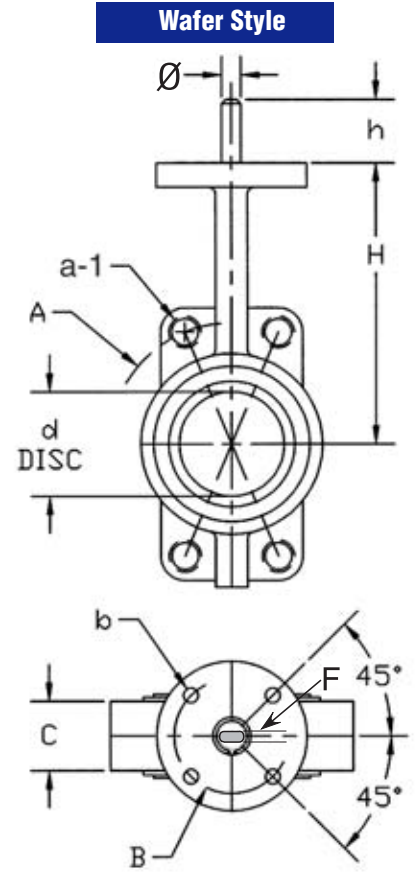
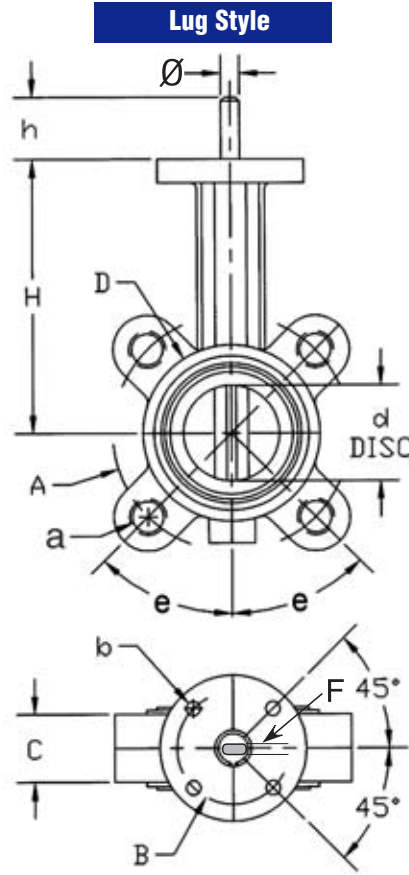
- ❖ *Agricultural and Turf Irrigation*
- ❖ *Water Distribution*
- ❖ *Waste Water Treatment*
- ❖ *Industrial Applications Including Chemical, Pulp & Paper and a Wide Array of General Industrial Mediums.*
- ❖ *Valves with BUNA-N Liners are suitable for oil and gas applications.*
- ❖ *Valves with EPDM Liners are suitable for high temperature water and air applications: 250°F.*



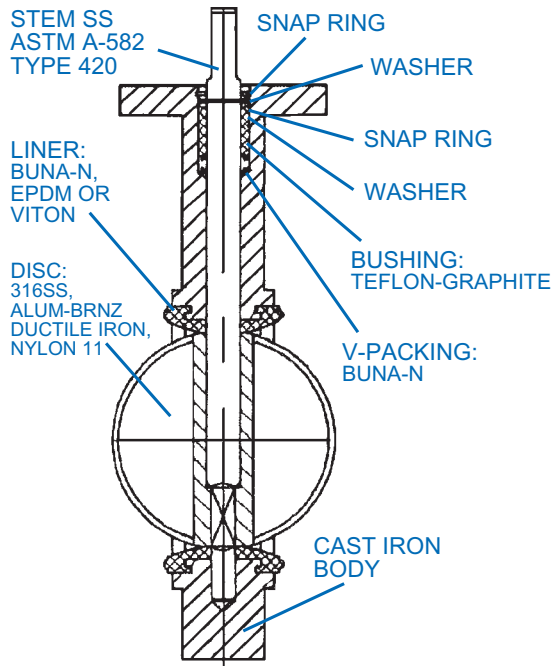


Design, Dimensions & Material Specifications Torque Chart

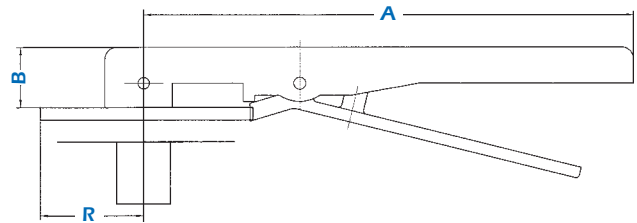
| 2" - 12": Inch Pounds @ 200 PSI Line Pressure | | 14" - 24": Inch Pounds @ 150 PSI Line Pressure | |
|--------------------------------------------------|--------|---------------------------------------------------|--------|
| Size | Torque | Size | Torque |
| 2" | 50 | 14" | 2500 |
| 2.5" | 50 | 16" | 3000 |
| 3" | 250 | 18" | 3000 |
| 4" | 250 | 24" | 4250 |
| 5" | 500 | | |
| 6" | 600 | | |
| 8" | 1000 | | |
| 10" | 1800 | | |
| 12" | 2000 | | |



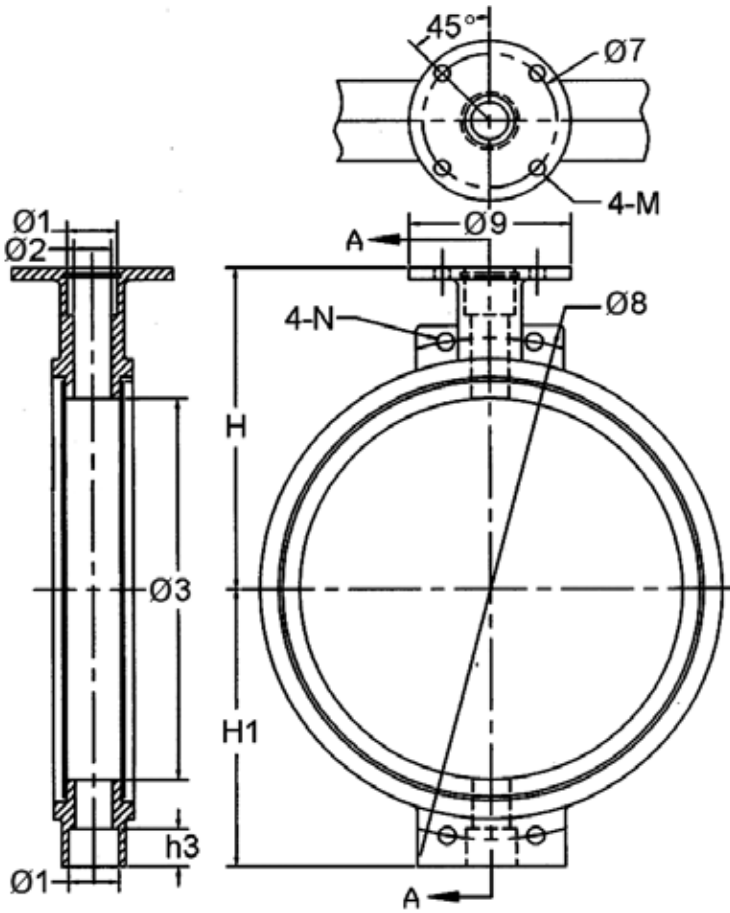
| Size | H | d+.05 | D | A | a | a-1 | B | b | c | h | Stem Ø | F (flat) | e |
|------|-------|-------|-------|-------|-----------|--------|------|------|-------|------|--------|----------|-------|
| 2" | 5.50 | 2.05 | 3.54 | 4.75 | 5/8"-4 | 11/16" | 2.25 | .284 | 1.625 | 1.25 | .564 | .375 | 45° |
| 2.5" | 6.00 | 2.52 | 4.02 | 5.50 | 5/8"-4 | 11/16" | 2.25 | .284 | 1.750 | 1.25 | .564 | .375 | 45° |
| 3" | 6.25 | 3.09 | 4.69 | 6.00 | 5/8"-4 | 11/16" | 2.25 | .284 | 1.750 | 1.25 | .564 | .375 | 45° |
| 4" | 7.00 | 4.09 | 5.91 | 7.50 | 5/8"-4 | 11/16" | 2.75 | .406 | 2.000 | 1.25 | .627 | .438 | 22.5° |
| 5" | 7.50 | 4.85 | 6.81 | 8.50 | 3/4" - 8 | 13/16" | 2.75 | .406 | 2.125 | 1.25 | .752 | .500 | 22.5° |
| 6" | 8.02 | 5.98 | 7.99 | 9.50 | 3/4" - 8 | 13/16" | 2.75 | .406 | 2.125 | 1.25 | .752 | .500 | 22.5° |
| 8" | 9.50 | 7.97 | 10.23 | 11.75 | 3/4" - 8 | 13/16" | 3.50 | .472 | 2.500 | 1.25 | .880 | .625 | 22.5° |
| 10" | 10.75 | 9.86 | 12.64 | 14.25 | 7/8" - 12 | 15/16" | 3.50 | .472 | 2.500 | 2.00 | 1.130 | .846 | 15° |
| 12" | 12.25 | 11.87 | 14.57 | 17.00 | 7/8" - 12 | 15/16" | 4.25 | .472 | 3.000 | 2.00 | 1.130 | .846 | 15° |



Overall Dimensions of Handle Operators



| Valve Size | A | B | R | Stem Size |
|------------|-------|------|------|-----------|
| 2" - 3" | 9.58 | 1.18 | 2.13 | 9/16" |
| 4" | 9.58 | 1.18 | 2.13 | 5/8" |
| 5" - 6" | 10.5 | 1.18 | 2.13 | 3/4" |
| 8" | 13.38 | 1.25 | 2.13 | 7/8" |
| 10" - 12" | 13.38 | 1.25 | 2.13 | 1-1/8" |

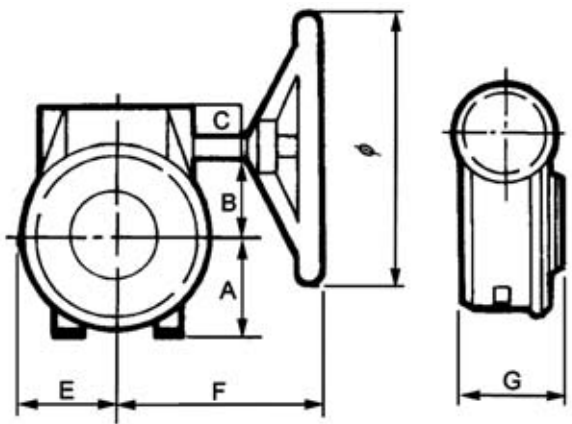


| MODELS: | RLO/RWG LGL/LGG | RLOAB/RWG-AB LGLAB/LGG-AB | RLOS/RWGS LGLS/LGGS | RLOSE/RWGSE LGLSE/LGGSE |
|------------|--------------------|------------------------------|------------------------|----------------------------|
| Body | Cast Iron | Cast Iron | Cast Iron | Cast Iron |
| Disc | Ductile Iron | Aluminum-Bronze | SS 316 | SS 316 |
| Seat | Buna-N * | Buna-N * | Buna-N * | EPDM |
| Stem | 420 Stainless | 420 Stainless | 420 Stainless | 420 Stainless |
| O-ring | Buna-N | Buna-N | Buna-N | EPDM |
| Bushing | Teflon-Graphite | Teflon-Graphite | Teflon-Graphite | Teflon-Graphite |
| Body Color | Black | Black | Red | Gray |
| Snap ring | Stainless | Stainless | Stainless | Stainless |
| Lever | Ductile Iron | Ductile Iron | Ductile Iron | Ductile Iron |
| Gear | Cast Iron | Cast Iron | Cast Iron | Cast Iron |

*VITON & Nylon 11 Available on Special Order

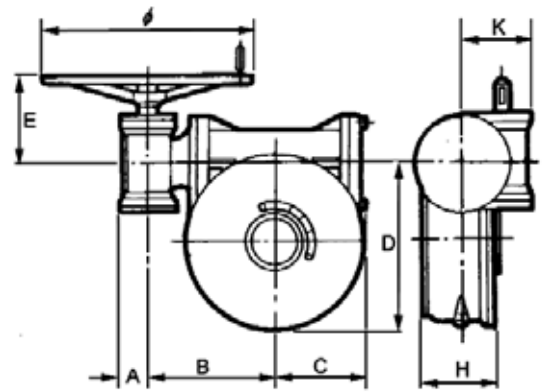
| Size | Ø1 | Ø2 | Ø3 | Ø7 | Ø8 | Ø9 | h3 | H | H1 | M | N |
|------|------|------|-------|-----|-------|----|------|-------|-------|-----|------|
| 14" | 1.88 | 1.37 | 14.25 | 5.0 | 18.75 | 6 | 1.45 | 12.00 | 10.38 | .56 | 1.06 |
| 16" | 2.25 | 1.62 | 16.38 | 5.0 | 21.25 | 6 | 1.45 | 13.00 | 11.62 | .56 | 1.06 |
| 18" | 2.62 | 1.87 | 18.38 | 6.5 | 22.75 | 8 | 1.53 | 14.50 | 12.75 | .81 | 1.19 |
| 20" | 2.75 | 2.12 | 20.50 | 6.5 | 25.00 | 8 | 1.24 | 15.88 | 14.00 | .81 | 1.19 |
| 24" | 2.75 | 2.12 | 24.96 | 6.5 | 29.50 | 8 | 1.24 | 22.25 | 16.14 | .81 | 1.38 |

Overall Dimensions of Worm Gear Operators



| Valve Size | A | B | C | E | F | G | Ø |
|------------|------|------|------|------|-------|------|-------|
| 2" - 6" | 1.97 | 1.65 | 1.22 | 2.07 | 5.81 | 2.95 | 5.91 |
| 8" - 10" | 3.15 | 2.83 | 1.54 | 2.95 | 9.06 | 3.35 | 11.81 |
| 12" - 14" | 3.19 | 2.83 | 1.57 | 3.19 | 9.02 | 3.39 | 11.81 |
| 16" - 20" | 5.12 | 4.72 | 3.54 | 5.12 | 11.81 | 4.86 | 11.81 |

Overall Dimensions of 2 Stage Worm Gear Operators



For Coefficient of Volume CV. Chart See Spec Sheet



B5 EXTENSION KITS

FOR USE IN UNDERGROUND INSTALLATIONS

B5 Extensions feature one piece inner stem construction, solid outside housing with full face flanges with BUNA gaskets for water tight seal. The extensions accommodate 10 position levers or gear operators. The extension kits include all necessary hardware for proper mounting to the valve.

AVAILABLE LENGTHS

B5 extensions are available in the following lengths: 24", 36", 48", 60", 72".

EXTENSION - VALVE DIAMETER DESIGNATION

Each letter below corresponds to the valve size for which you are ordering an extension.

| A | B | C | D | E | F | G | H | I |
|-------|----|-------|----|-----|-----|-----|-----|-----|
| 2"-3" | 4" | 5"-6" | 8" | 10" | 12" | 14" | 16" | 18" |

EXAMPLE:

To order a 48" Extension for an 8" Butterfly valve, the correct product number would be:

Valve Part # **B5-X48-D** — Nominal Valve Size
 Designates Extension — Extension Length

B5-RLO-X-48D

CORPORATE HEADQUARTERS

P.O. Box 27 Route 22
 Brewster, NY 10509

LOCAL:

Tel: 845-278-7570
 Fax: 845-278-9056

TOLL FREE:

Tel: 800-431-2082
 Fax: 800-640-2252

E-MAIL: mail@matco-norca.com

CENTRAL REGION

1150 Silber Road
 Houston, TX 77055

LOCAL:

Tel: 713-680-2888
 Fax: 713-680-2999

TOLL FREE:

Tel: 800-935-5456
 Fax: 800-683-4247

www.matco-norca.com

WESTERN REGION

5593 Fresca Drive
 La Palma, CA 90623

LOCAL:

Tel: 714-522-1889
 Fax: 714-522-3828

TOLL FREE:

Tel: 866-532-8306
 Fax: 866-532-8307