

MINI SIGMA

Innovative automatic self-cleaning filter. Lightweight and durable with maximum installation flexibility.



	2"	3"	4"
maximum flow rate	25 m ³ /h (110 gpm)	50 m ³ /h (220 gpm)	80 m ³ /h (352 gpm)
inlet/outlet diameter	50 mm (2")	80 mm (3")	100 mm (4")
filtration degrees	80-500 micron		
minimum operating pressure during flush cycle	1.5 bar (22 psi)		
maximum operating pressure	8 bar (116 psi)		

features:

- Reliable and durable
- Amiad's unique suction-scanner cleaning technology
- Modular design with various installation configurations
- Polymeric filter - corrosion free
- Low water and energy consumption
- Compact design and small footprint
- Easy installation and low maintenance
- Ideal for many landscape and agricultural irrigation applications
- Amiad's innovative and user friendly ADI-P electronic controller, operated by a mobile app for advanced monitoring capabilities

Patent pending

How the Mini Sigma Filter Works

General

Amiad's Mini Sigma filter is the newest addition to the Sigma family. It is a small and lightweight yet durable filter; quick and easy to install, simple to operate, and requires minimal maintenance. The Mini Sigma filter was developed to handle low pressure operation, with a capacity of up to 80 m³/h (352 gpm) and with filtration degrees from 80-500 micron. Inlet/outlet connections are available in 50mm (2"), 80 mm (3"), and 100mm (4") diameter. Filters include a 40mm (1.5") flush valve.

The Filtration Process

Raw water enters through the filter inlet and passes through the screen. Clean water flows through the filter outlet. The gradual dirt buildup on the screen's inner surface causes a filter cake to develop, creating an increase in the pressure differential across the filter system. A differential pressure (DP) switch senses the pressure differential and when it reaches a pre-set level, the self-cleaning process begins.

The Control System - Amiad's NEW ADI-P Controller

Amiad's ADI-P controller offers a one-of-a-kind monitoring and control functionality. The controller interacts with Amiad's advanced, user-friendly app that provides detailed filtration performance data on your mobile phone device. The self-cleaning mechanism is controlled and monitored by the ADI-P controller. The self-cleaning cycle is triggered by an integrated DP switch.

The ADI-P controller and mobile app also provide:

- DP and flush cycle counters
- Alerts – low/high pressures, low battery
- Reports and performance history data

The Self-Cleaning Process

The self-cleaning cycle is initiated by any one of the following conditions:

1. Signal from the DP switch, pre-set at 7 psi (0.5 bar)
2. Time interval parameter set at the controller
3. Manual start, triggered by the ADI-P mobile app (within Bluetooth range) or via electronic controller keypad

The flush valve opens to atmosphere creating a strong suction force at the scanner nozzles, effectively removing dirt particles from the screen and discharging them from the filter.

Mini Sigma Models

Amiad's Mini Sigma Series consists of the following models:

- 2" Mini Sigma for up to 25 m³/h (110 gpm)
- 3" Mini Sigma for up to 50 m³/h (220 gpm)
- 4" Mini Sigma for up to 80 m³/h (352 gpm)

Amiad's ADI-P Controller

The Mini Sigma comes with the innovative ADI-P controller developed by Amiad specifically for its filters.



Control the Mini Sigma with your mobile device!



Interacts with Amiad's advanced, user-friendly ADI-P mobile app



One-of-a-kind monitoring and control functionality



Provides detailed filtration performance data

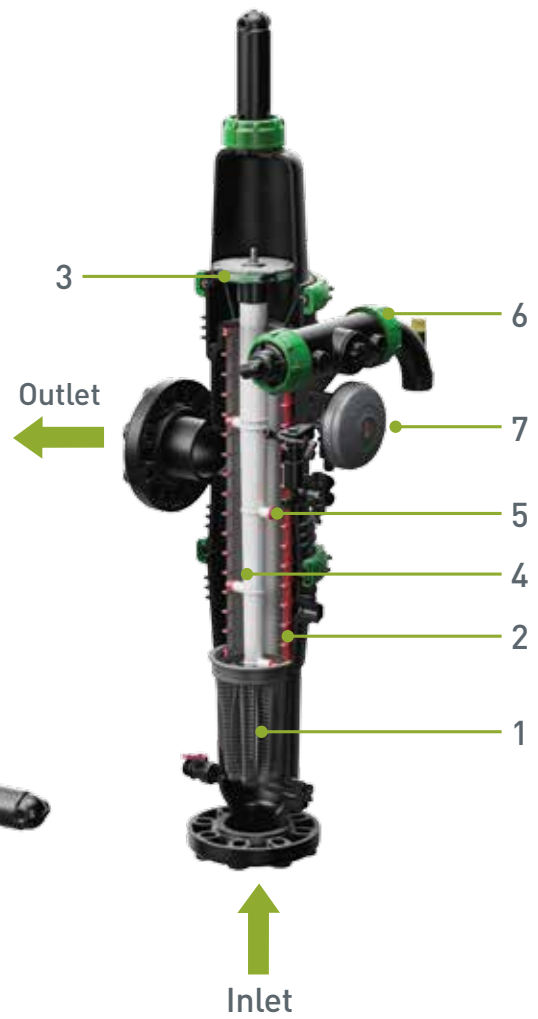
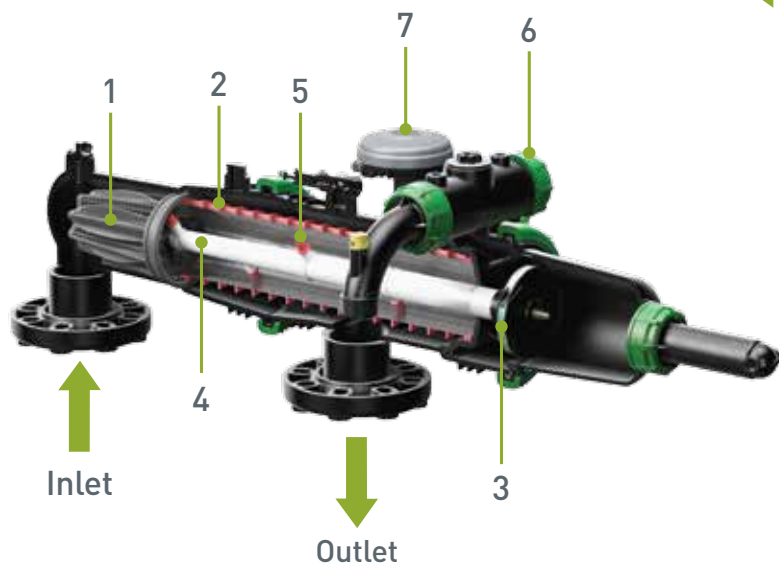
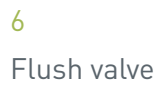
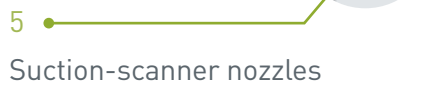
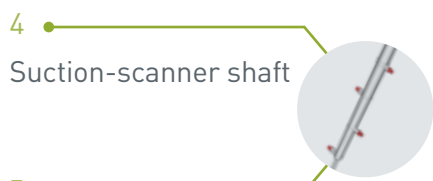
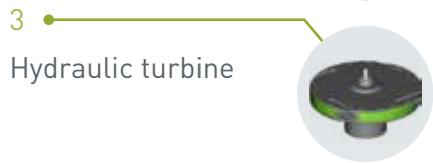
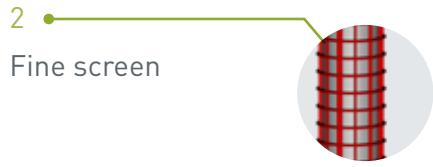
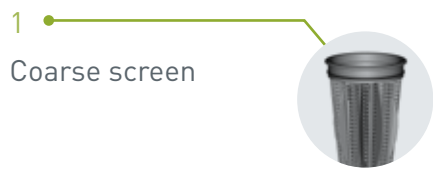


Bluetooth® range communication



Offline information storage available

Mini Sigma parts description



Technical Specifications

General data	2" Mini Sigma	3" Mini Sigma	4" Mini Sigma
Max. flow rate* (130µ) in average water quality	25 m ³ /h (110 gpm)	50 m ³ /h (220 gpm)	80 m ³ /h (352 gpm)
Min. operating pressure when cleaning	1.5 bar (22 psi)		
Max. operating pressure	8 bar (116 psi)		
Filtration area	1,200 cm ² (186 in ²)	1,600 cm ² (248 in ²)	2,400 cm ² (372 in ²)
Inlet/Outlet diameter	2" (50 mm) BSPT/NPT	3" (80 mm) Victaulic/Universal flange	4" (100 mm) Victaulic/Universal flange
Weight (Empty)	16 kg (35 lbs)	20 kg (44 lbs)	23 kg (51 lbs)

* Amiad's flow recommendation per water quality.

Electronic control	
Control power supply	4 x AA type 1.5V batteries and/or External 7-14 VDC
Solenoid	9-12 VDC latching solenoid
DP switch	Integral sensors

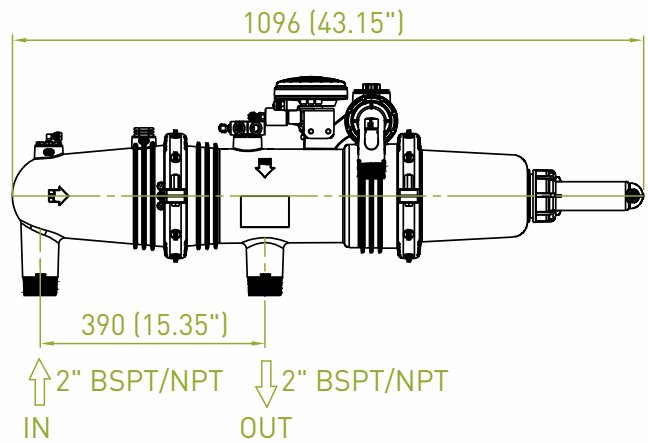
Flushing data*			
Exhaust valve	1.5" (40 mm) BSPT/NPT		
Flushing time	10 seconds		
Reject water volume per flush cycle	24 liters (6.3 gallons)	26 liters (6.8 gallons)	28 liters (7.4 gallons)
Flushing flow rate	8.7 m ³ /h (38.3 gpm)	9.6 m ³ /h (42.2 gpm)	10 m ³ /h (44 gpm)

* At 1.5 bar (22 psi)

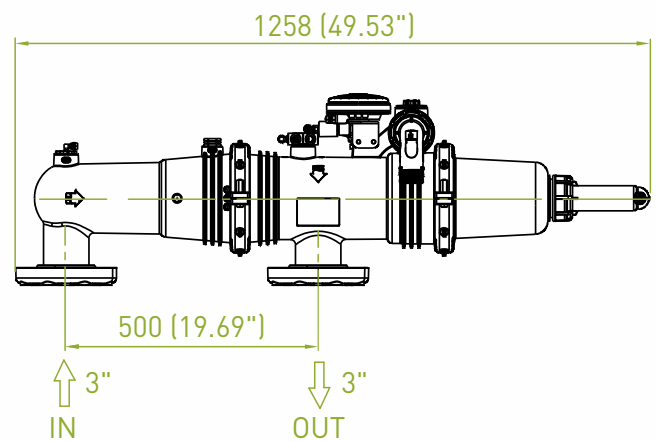
Construction materials	
Filter housing and lid	RPA (reinforced polyamide)
Screens	Molded weavewire, stainless steel 316L
Cleaning mechanism	PBT (polybutylene)
Exhaust valve	Polymeric
Seals	EPDM
Control command tubing	PE (polyethylene)

Standard Filtration Degrees						
micron	500	300	200	130	100	80
mm	0.5	0.3	0.2	0.13	0.1	0.08

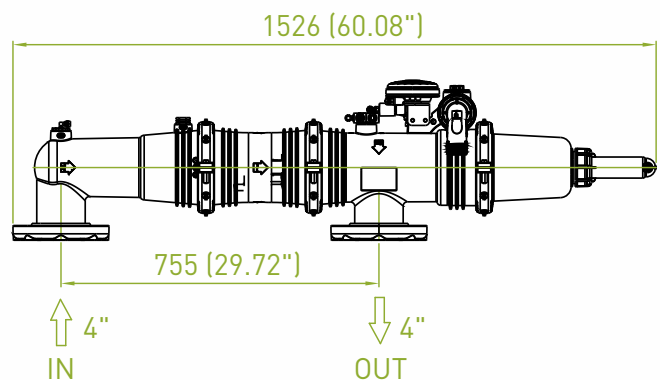
2" Mini Sigma on-line



3" Mini Sigma on-line

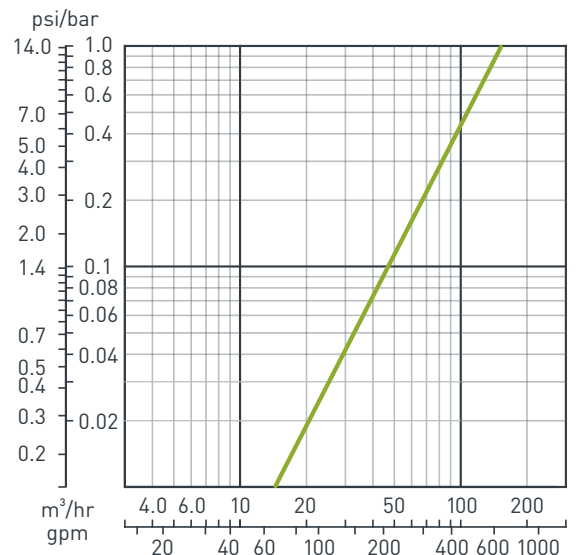
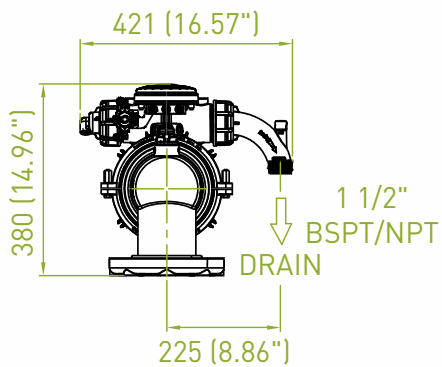
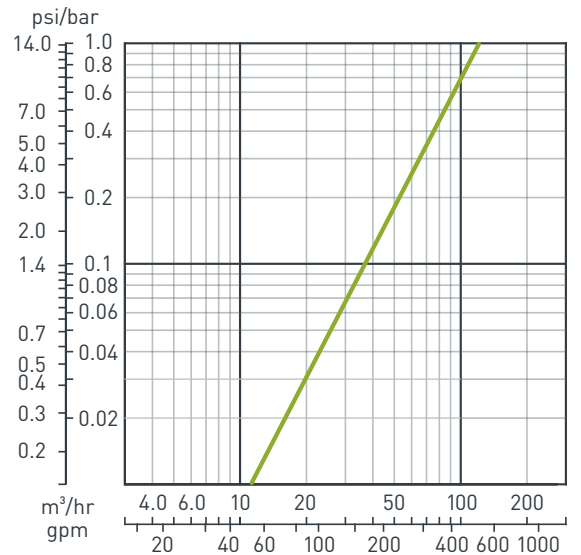
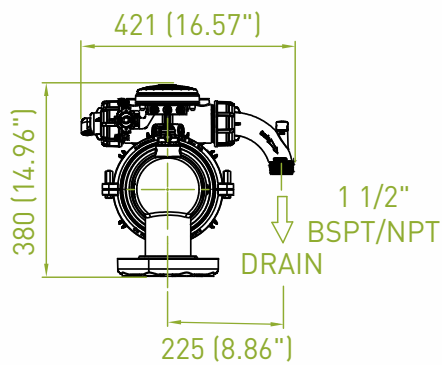
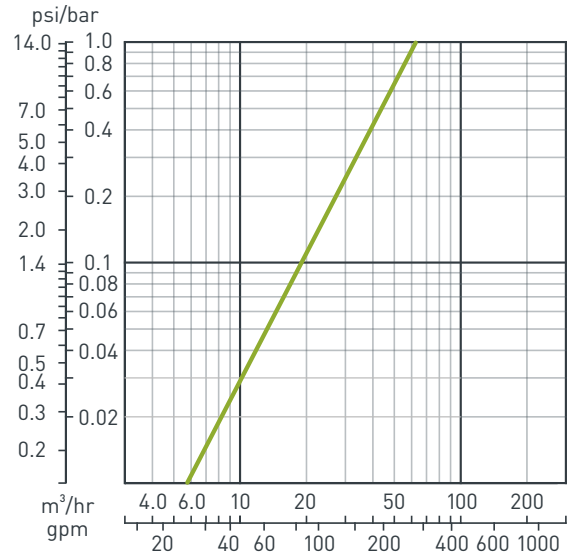
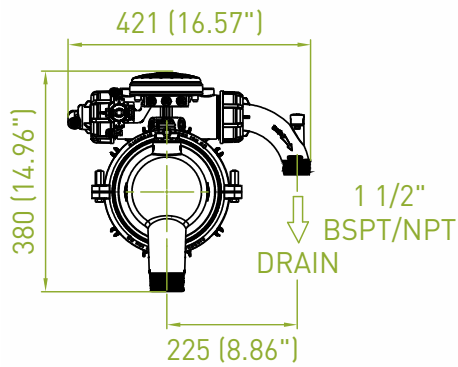


4" Mini Sigma on-line



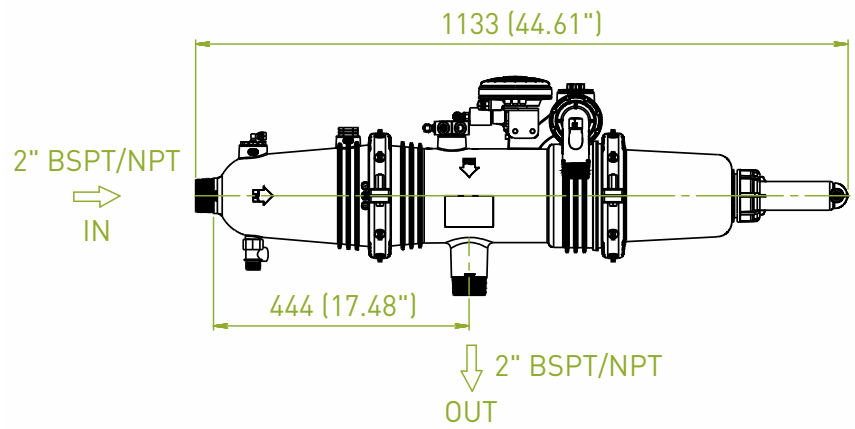
Dim: mm (inch)

Pressure Loss Graph (in clean water)

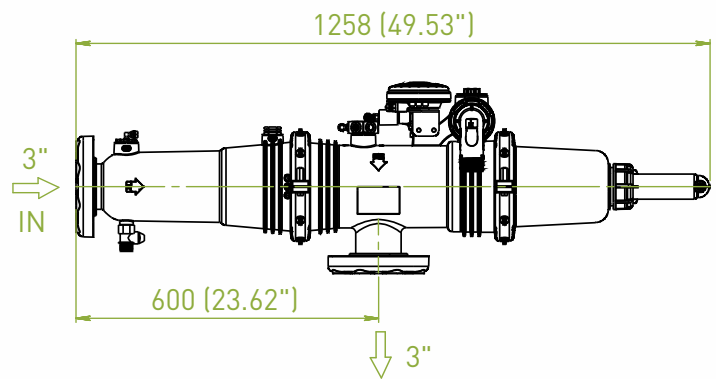


Dim: mm (inch)

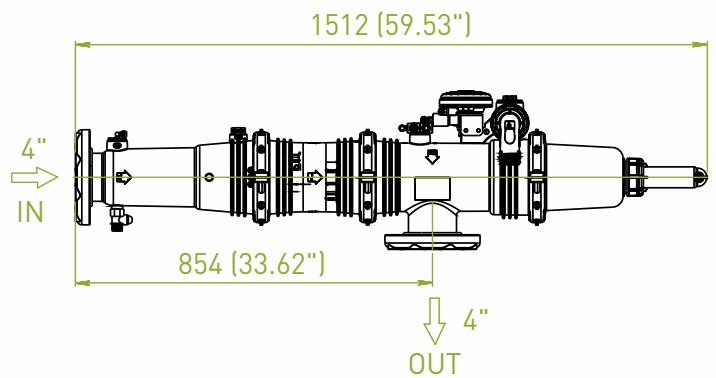
2" Mini Sigma angle



3" Mini Sigma angle

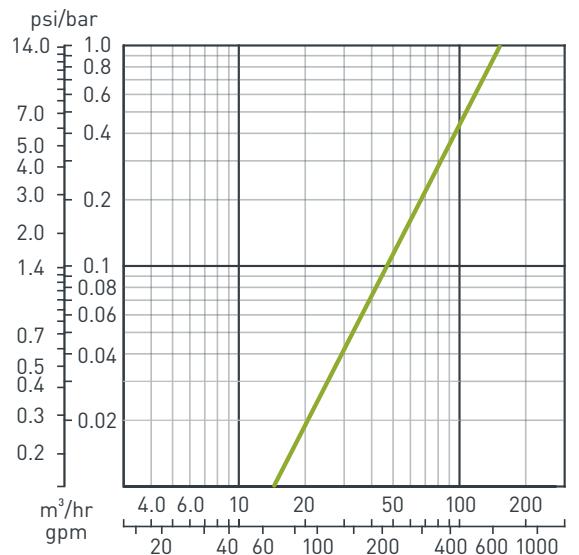
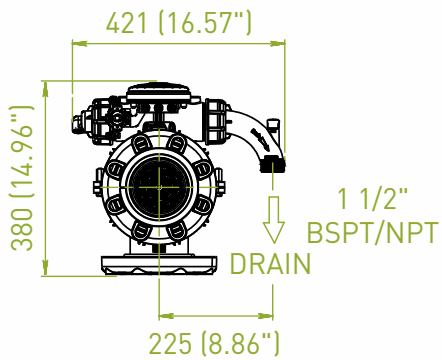
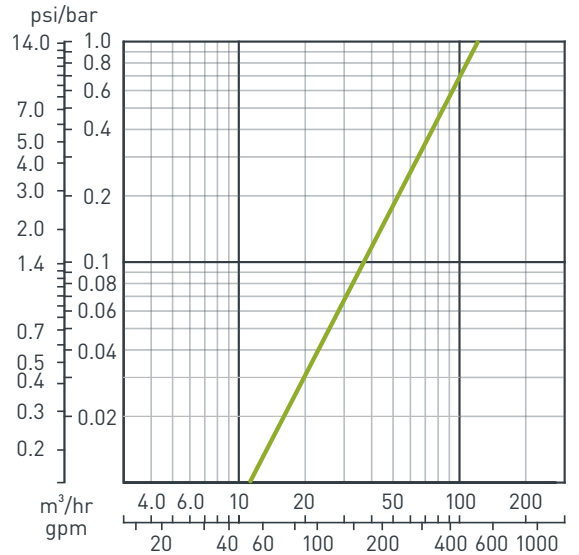
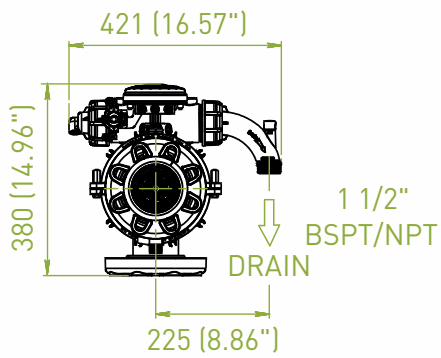
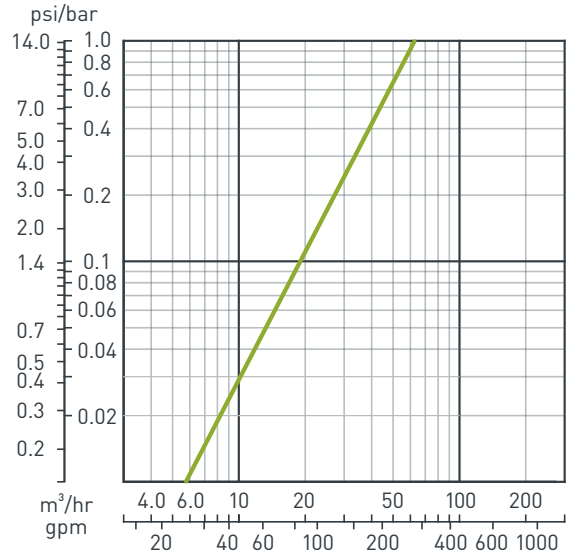
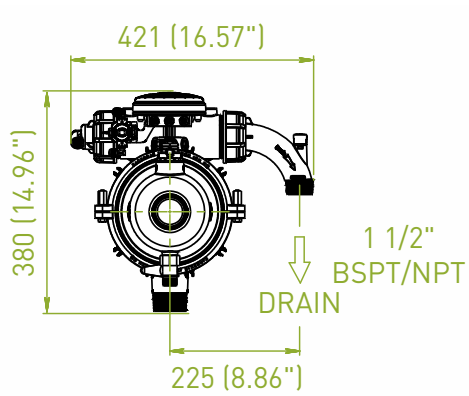


4" Mini Sigma angle



Dim: mm (inch)

Pressure Loss Graph (in clean water)



Dim: mm (inch)

Mini Sigma Configuration Options

Advanced design for **maximum installation flexibility:**



Modular, versatile inlet and outlet options

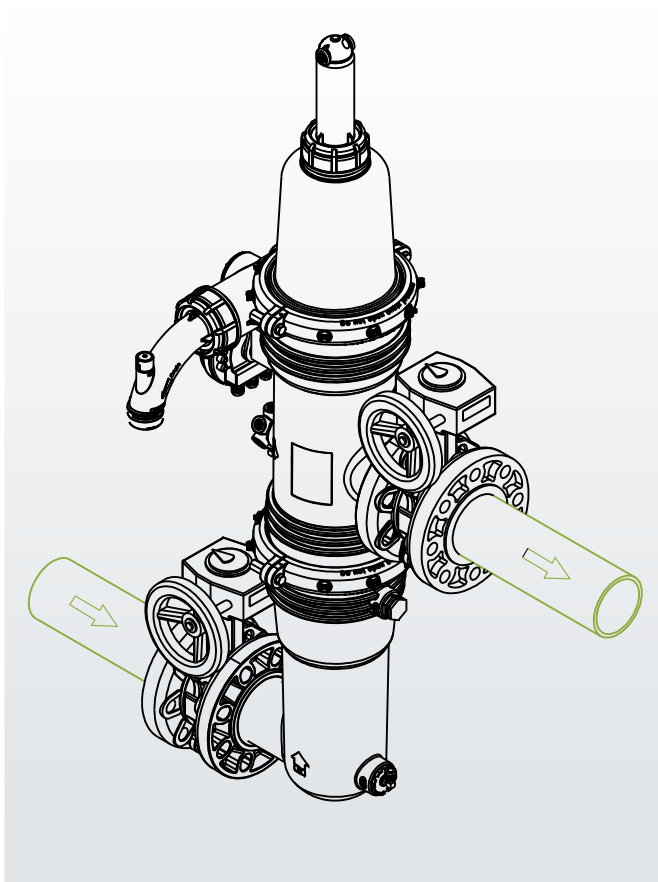


Horizontal or vertical configuration



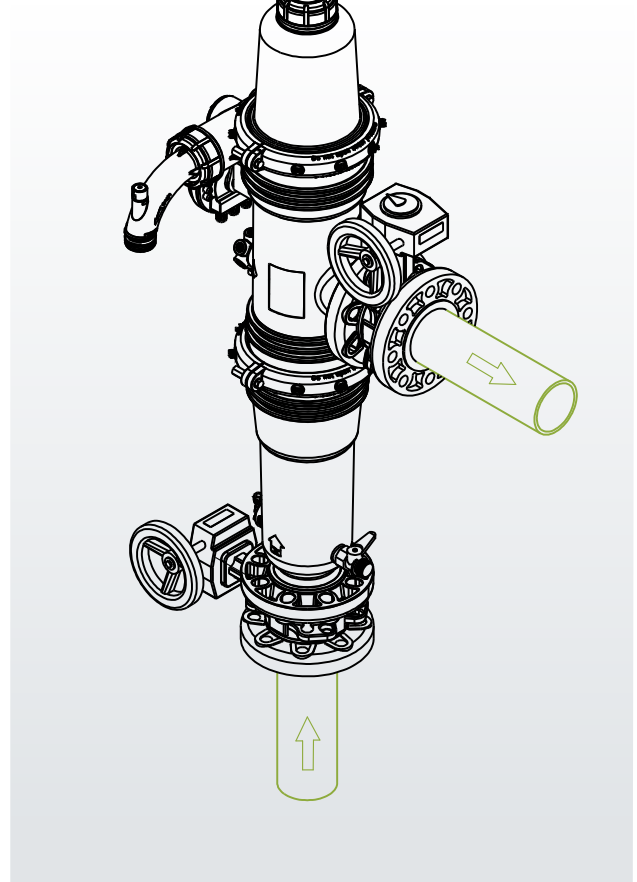
360° rotation of the drain pipe to fit any installation configuration

On-line



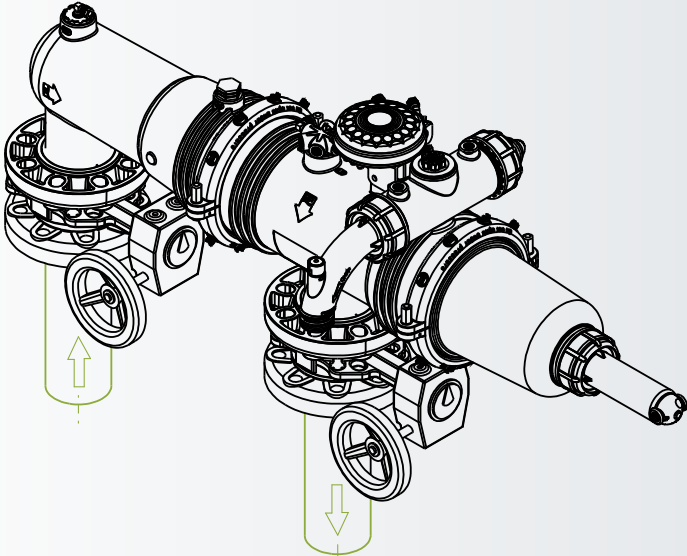
Vertical

Angle

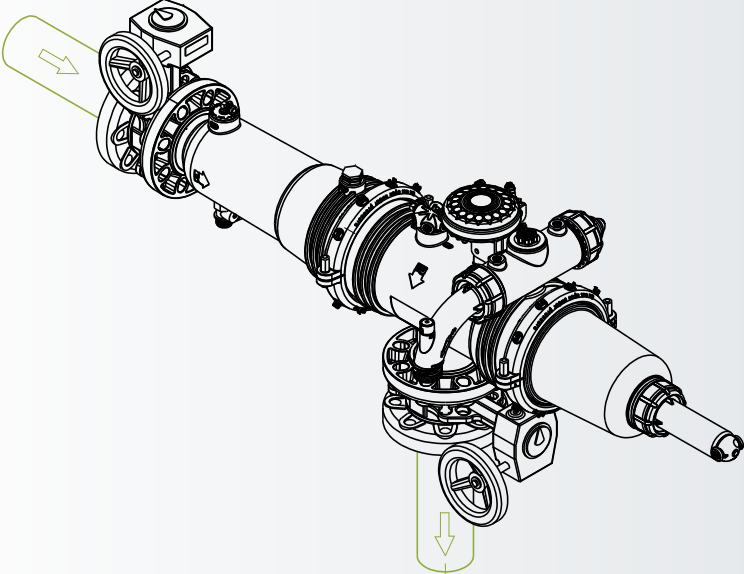


Mini Sigma Configuration Options

On-line



Angle



Horizontal

Headquarters

Amiad Water Systems Ltd. D.N. Galil Elyon 1, 1233500, Israel,
Tel: +972 4 690 9500, Fax: +972 4 814 1159,
E-mail: info@amiad.com

The Americas



Amiad USA Inc. Main Office and Manufacturing: 120-J Talbert Road, Mooresville, NC 28117
Tel: +1 704 662 3133, Fax: +1 704 662 3155, Toll Free: +1 800 24 FILTER
E-mail: infousa@amiad.com www.amiadusa.com

West Coast Sales Office and Warehouse:
1251 Maulhardt Ave, Oxnard, CA 93030
Tel: 1 805 988 3323, Fax: 1 805 988 3313, Toll Free: 1 800 969 4055

Brazil

Amiad Sistemas de Água Ltda., Rua Funchal, 411, Conj. 42, Vila Olimpia, São Paulo, CEP 04551-060
Tel: +55 11 31923824, E-mail: infobrasil@amiad.com

Amiad Oil & Gas, E-mail: amisur@adinet.com.uy

Mexico

Amiad México SA DE CV, AV. Jesus del Monte #39B – INT 601, Col. Jesus del Monte, C.P. 52764
Huixquilucan, Estado de México, Tel/Fax: +52 55 636 28122, Mob: +52 1 55 4909 2202
E-mail: infomexico@amiad.com

Irrigation Office:

Ing. Ramón Padilla Sanchez 1000 A, Col. Venta del Astillero, Zapopan, C.P. 45221, Jalisco – Mexico
Tel: +52 1 33 3640 0189 / +52 1 33 3641 4943, E-mail: infomexico-irr@amiad.com

Asia



India

Amiad Filtration India Pvt Limited, Plot No. A/435, Road No. 24, T T C Indl Area
MIDC Mahape, P.O. M.B.P, Navi Mumbai - 400710
Tel: +91 22 2778 7813/14, Email: info-india@amiad.com

China

Amiad China (Yixing Taixing Environtec Co., Ltd.) 70 Baihe Chang, Xingjie Yixing Jiangsu, 214204
Tel: +86 510 87134000, Fax: +86 510 87134999, E-mail: marketing@taixing.cc

South-East Asia

Filtration & Control Systems Pte. Ltd., 22 Sin Ming Lane #07-71 Midview City, Singapore 573969
Tel: +65 6 337 6698, Fax: +65 6 337 8180, E-mail: amiad@amiad.com.sg

Australia



Amiad Australia Pty Ltd. 138 Northcorp Boulevard, Broadmeadows, Victoria 3047
Tel: +61 3 93585800, Fax: +61 3 93585888, E-mail: sales@amiad.com

Europe



Amiad Water Systems Europe SAS, Ilot No4 ZI La Boitardière, 37530 Chargé, France

Tel: +33 (0) 2 47 23 01 10, Fax: +33 (0) 2 47 23 80 67, E-mail: industry-europe@amiad.com

Amiad Water Systems Europe SAS (Irrigation Division)

100 avenue de l'Anguillon, Z.I. des Iscles, 13160 Chateaurenard
Tel: +33 (0) 4 32 60 10 01, Fax +33 (0) 4 32 60 60 85

Germany

Amiad Water Systems SAS Europe (German branch office)

Zweigniederlassung Deutschland Prinz-Regent-Str. 68 a 44795 Bochum
Tel: +49 (0) 234 588082-0, Fax: +49 (0) 234 588082-10, E-mail: info@amiad.de

United Kingdom

Amiad Water Systems UK Limited, Unit 1 Heol Rhosyn, Dafen Business Park
Dafen, Llanelli SA14 8QG

Tel: +44 (0)1792 277290, Fax: +44 (0)1792 797707, E-mail: info-uk@amiad.com

